



LOVATO II

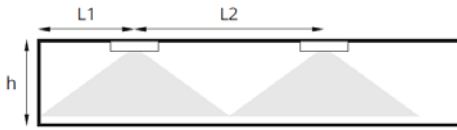


LEVATO II

er et ledelys for utenpåliggende montasje. Kommer i flere versjoner både for korridor og åpne områder. **LEVATO II** har LED lyskilde. Monteres på tak. For valg av rett armatur se avstandstabeller. **LEVATO II** leveres som lavvoltage sentralisert løsning.

Tekniske spesifikasjoner:

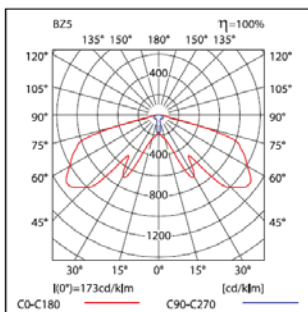
Materiale	Polykarbonat hus
Mål	132 x 132 x 74 mm
Vekt	380 gram
Montering	Utenpåliggende tak
Leseravstand	-
Lyskilde	1, 2 eller 3 watt LED
Batteri	-
Driftsspenning	FZLV 48VDC
Kapslingsgrad	IP20
Temperatur	0°C - 40°C



L1 – avstand fra vegg til første armatur
 L2 – avstand mellom armatur
 h – høyde til tak



LB2C – optikk for korridor



LB2C 1W (150lm) min.1lx

h [m]	L1	L2
2,50	5,5	15,0
3,00	5,5	16,0
3,50	5,0	16,0
4,00	5,0	16,5
4,50	5,0	16,5
5,00	4,5	16,5

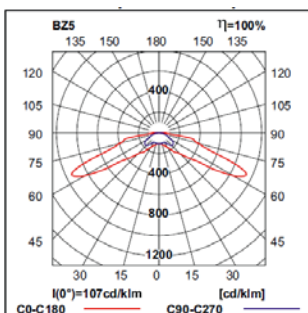
LB2C 2W (240lm) min.1lx

h [m]	L1	L2
2,50	6,5	17,5
3,00	7,0	19,0
3,50	7,0	19,0
4,00	7,0	19,5
4,50	7,0	19,5
5,00	6,5	20,0
6,00	6,5	20,5
7,00	6,5	21,0

LB2C 3W (360lm) min.1lx

h [m]	L1	L2
2,50	7,5	19,0
3,00	8,0	20,5
3,50	8,5	21,0
4,00	9,0	23,0
4,50	9,0	24,0
5,00	9,5	25,0
6,00	10,0	26,0
7,00	10,0	28,0
8,00	9,5	29,0

LB2R – optikk for rømningsvei



LB2R 1W (140lm) min. 1lx

h [m]	L1	L2
2,50	6,0	14,0
3,00	6,5	15,5
3,50	7,0	17,0
4,00	6,5	18,0

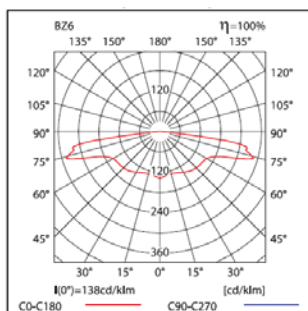
LB2R 2W (250lm) min. 1lx

h [m]	L1	L2
2,50	7,0	16,0
3,00	7,5	17,5
3,50	8,0	19,0
4,00	9,0	21,0
4,50	9,5	22,5
5,00	9,5	24,0
6,00	9,5	25,0

LB2R 3W (370lm) min. 1lx

h [m]	L1	L2
2,50	7,5	17,0
3,00	8,0	18,5
3,50	9,0	20,0
4,00	9,5	22,0
4,50	10,0	23,5
5,00	10,5	25,0
6,00	10,5	27,0

LB2O – optikk for åpne områder



LB2O 1W (140lm) min. 0,5lx

h [m]	L1	L2
2,50	3,0	11,0
3,00	2,5	11,5
3,50	2,5	13,0
4,00	2,5	12,5
4,50	2,5	12,5
5,00	2,0	11,0
6,00	1,5	10,5

LB2O 2W (270lm) min. 0,5lx

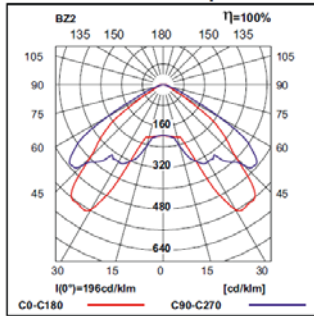
h [m]	L1	L2
2,50	5,0	16,5
3,00	5,0	16,5
3,50	4,5	17,0
4,00	4,0	17,0
4,50	4,0	17,0
5,00	3,5	17,0
6,00	3,5	16,0

LB2O 3W (390lm) min. 0,5lx

h [m]	L1	L2
2,50	5,0	18,0
3,00	5,0	18,0
3,50	4,5	18,0
4,00	4,5	18,5
4,50	4,0	20,0
5,00	3,5	20,0
6,00	3,5	19,5
7,00	4,0	18,5
8,00	4,0	18,0



LV2U – universal optikk



LV2U 1W (140lm) min. 0,5lx

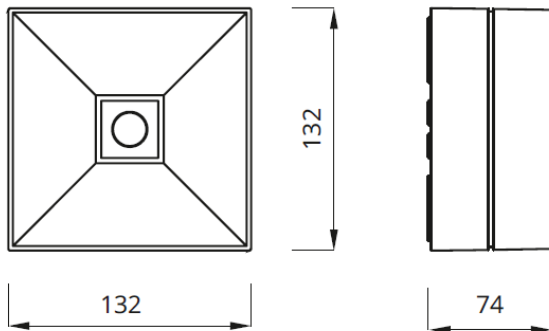
h [m]	L1	L2
2,50	3,0	7,0
3,00	3,5	7,5
3,50	3,5	8,5
4,00	4,0	9,5
4,50	4,0	10,0
5,00	4,0	10,5
6,00	4,0	10,5

LV2U 2W (270lm) min. 0,5lx

h [m]	L1	L2
2,50	3,5	7,5
3,00	3,5	9,0
3,50	4,0	10,0
4,00	4,5	11,0
4,50	4,5	12,0
5,00	5,0	12,5
6,00	5,5	13,5

LV2U 3W (390lm) min. 0,5lx

h [m]	L1	L2
2,50	3,5	8,5
3,00	4,0	9,5
3,50	4,0	10,5
4,00	5,0	11,0
4,50	5,5	12,5
5,00	5,5	13,5
6,00	6,0	15,0



Art.nr.	Beskrivelse	Batteri / spenning	System
9151016	LOVATO II LB2C asym. 1W LED, 140 lm, IP41, FZLV, hvit	48VDC	Sentralisert
9151017	LOVATO II LB2C asym. 2W LED, 250 lm, IP41, FZLV, hvit	48VDC	Sentralisert
9151018	LOVATO II LB2C asym. 3W LED, 370 lm, IP41, FZLV hvit	48VDC	Sentralisert
9151019	LOVATO II LB2O sym. 1W LED, 145 lm, IP41, FZLV, hvit	48VDC	Sentralisert
9151020	LOVATO II LB2O sym. 2W LED, 250 lm, IP41, FZLV, hvit	48VDC	Sentralisert
9151021	LOVATO II LB2O sym. 3W LED, 370 lm, IP41, FZLV, hvit	48VDC	Sentralisert
9151022	LOVATO II LB2R asym. 1W LED, 140 lm, IP41, FZLV, hvit	48VDC	Sentralisert
9151023	LOVATO II LB2R asym. 2W LED, 250 lm, IP41, FZLV, hvit	48VDC	Sentralisert
9151024	LOVATO II LB2R asym. 3W LED, 370 lm, IP41, FZLV, hvit	48VDC	Sentralisert
9151025	LOVATO II LB2U sym. 1W LED, 140 lm, IP41, FZLV, hvit	48VDC	Sentralisert
9151026	LOVATO II LB2U sym. 2W LED, 270 lm, IP41, FZLV, hvit	48VDC	Sentralisert
9151027	LOVATO II LB2U sym. 3W LED, 390 lm, IP41, FZLV, hvit	48VDC	Sentralisert